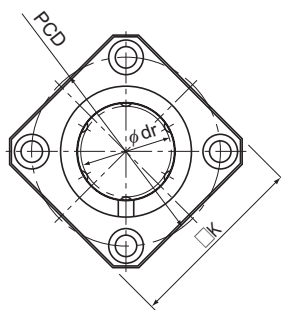


Model LMK-L



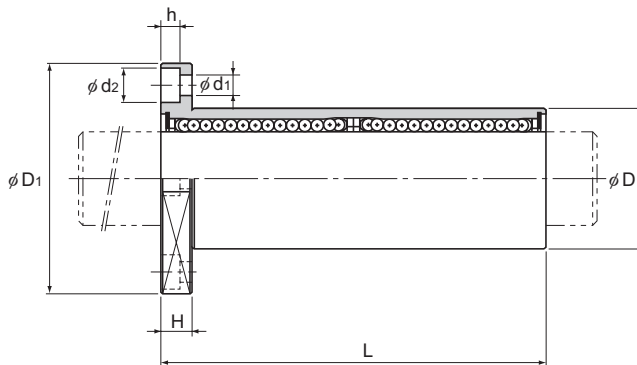
Model LMK-L

Model No.	Ball rows	Main dimensions							
		Inscribed circle diameter		Outer diameter		Length		Flange diameter	
		dr	Tolerance	D	Tolerance	L	Tolerance	D ₁	Tolerance
LMK 6L	4	6	0 -0.010	12	0	35	0 -0.3	28	0 -0.2
LMK 8L	4	8		15	-0.013	45		32	
LMK 10L	4	10		19	0 -0.016	55		39	
LMK 12L	4	12		21		57		42	
LMK 13L	4	13		23		61		43	
LMK 16L	5	16		28	70	48		0 -0.4	
LMK 20L	5	20	32	80	54				
LMK 25L	6	25	40	112	62				
LMK 30L	6	30	45	123	74				
LMK 35L	6	35	52	135	82				
LMK 40L	6	40	60	154	96				
LMK 50L	6	50	80	192	116	0 -0.3			
LMK 60L	6	60	90	211	134				

Notes: Since this model contains a synthetic resin retainer, do not use it at temperatures exceeding 80°C.
If requiring a type equipped with a seal, indicate it when placing an order.

(Example) LMK50L UU

└─── Seal attached on both ends of the nut



Unit: mm

	K	H	PCD	Mounting hole $d_1 \times d_2 \times h$	Flange perpendicularity	Eccentricity (max)	Basic load rating		Mass g
					μm	μm	C N	C_0 N	
	22	5	20	$3.4 \times 6.5 \times 3.3$	15	15	324	529	24
	25	5	24	$3.4 \times 6.5 \times 3.3$	15	15	431	784	39
	30	6	29	$4.5 \times 8 \times 4.4$	15	15	588	1,100	68
	32	6	32	$4.5 \times 8 \times 4.4$	15	15	657	1,200	76
	34	6	33	$4.5 \times 8 \times 4.4$	15	15	814	1,570	100
	37	6	38	$4.5 \times 8 \times 4.4$	15	15	1,230	2,350	176
	42	8	43	$5.5 \times 9.2 \times 5.4$	20	20	1,400	2,750	210
	50	8	51	$5.5 \times 9.2 \times 5.4$	20	20	1,560	3,140	466
	58	10	60	$6.6 \times 11 \times 6.5$	20	20	2,490	5,490	569
	64	10	67	$6.6 \times 11 \times 6.5$	25	25	2,650	6,270	825
	75	13	78	$9 \times 14 \times 8.6$	25	25	3,430	8,040	1,321
	92	13	98	$9 \times 14 \times 8.6$	25	25	6,080	15,900	2,952
	106	18	112	$11 \times 17.5 \times 10.8$	25	25	7,650	20,000	3,883

Note: If a lubrication hole is required, this can be indicated by appending "OH" to the end of the model number.
For further information, contact THK.