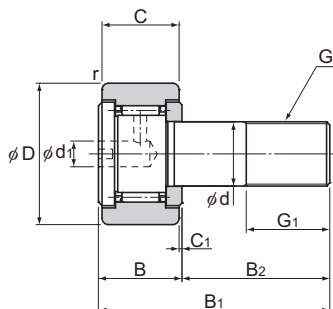


## Model CF (Popular Type)

Optional specifications		Symbol
Roller guide	With cage	No Symbol
	Full rollers	V
Material	Carbon steel	No Symbol
	Stainless steel	M
Seal	Without seal	No Symbol
	With seal	UU
Outer ring shape	Cylindrical outer ring	No Symbol
	Spherical outer ring	R



Stud diameter	Model No.	Main dimensions										
		Outer diameter	Outer ring width	Threaded			Overall length					Shoulder height f (Min.)
d		D	C	G	G <sub>1</sub>	B	B <sub>1</sub>	B <sub>2</sub>	C <sub>1</sub>	d <sub>1</sub>	r <sub>min</sub>	
5	CF 5	13	9	M5×0.8	7.5	10	23	13	0.5	3.1	0.3	9.7
6	CF 6	16	11	M6×1	8	12	28	16	0.6	4	0.3	11
8	CF 8	19	11	M8×1.25	10	12	32	20	0.6	4	0.3	13
10	CF 10	22	12	M10×1.25	12	13	36	23	0.6	4	0.3	15
10	CF 10-1	26	12	M10×1.25	12	13	36	23	0.6	4	0.3	15

Note: For information on accuracy standards, please refer to **A19-14**.

### Model number coding

**CF6 V M UU R -N**

Model No.

No symbol: With cage  
V : Full-roller Type

No symbol: Carbon steel  
M : Stainless steel

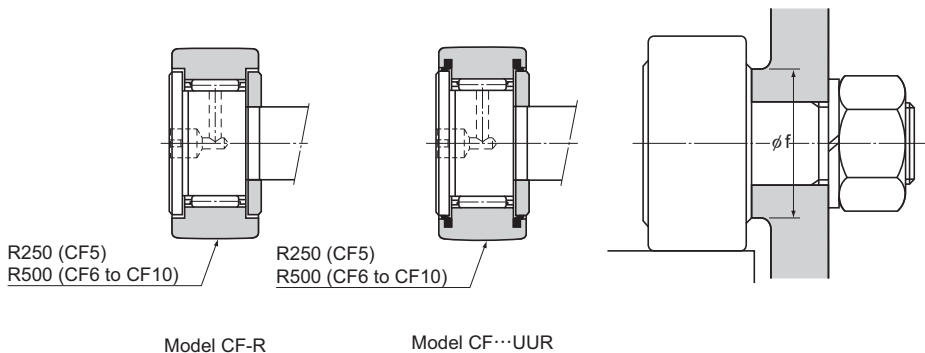
No symbol: without seal  
UU : With seal

No symbol: No grease nipple

N : Dedicated grease nipple included (See **A19-39**)

No Symbol: Cylindrical outer ring  
R : Spherical outer ring

Note: For accessories, please refer to **A19-38**.



Unit: mm

	Basic load rating				Maximum permissible load F <sub>0</sub> kN	Track load capacity		Rotational speed limit <sup>1</sup>		Mass	
	With cage		Full rollers			Cylindrical outer ring kN	Spherical outer ring kN	With cage min <sup>-1</sup>	Full rollers min <sup>-1</sup>	With cage g	Full rollers g
	C kN	C <sub>0</sub> kN	C kN	C <sub>0</sub> kN							
	3.14	2.77	5.1	5.5	1.42	2.25	0.53	29000	11600	10.5	11
	3.59	3.58	6.94	8.5	2.11	3.43	1.08	25000	11000	18.5	19
	4.17	4.65	8.13	11.2	4.73	4.02	1.37	20000	8700	28.5	29
	5.33	6.78	9.42	14.3	5.81	4.7	1.67	17000	7200	45	46
	5.33	6.78	9.42	14.3	5.81	5.49	2.06	17000	7200	60	61

<sup>1</sup> The rotation speed limit value in the table applies to models that have no seal and use grease lubrication. With those models using oil lubrication, up to 130% of this value is permitted. With those attached with seals, up to 70% of this value is permitted.