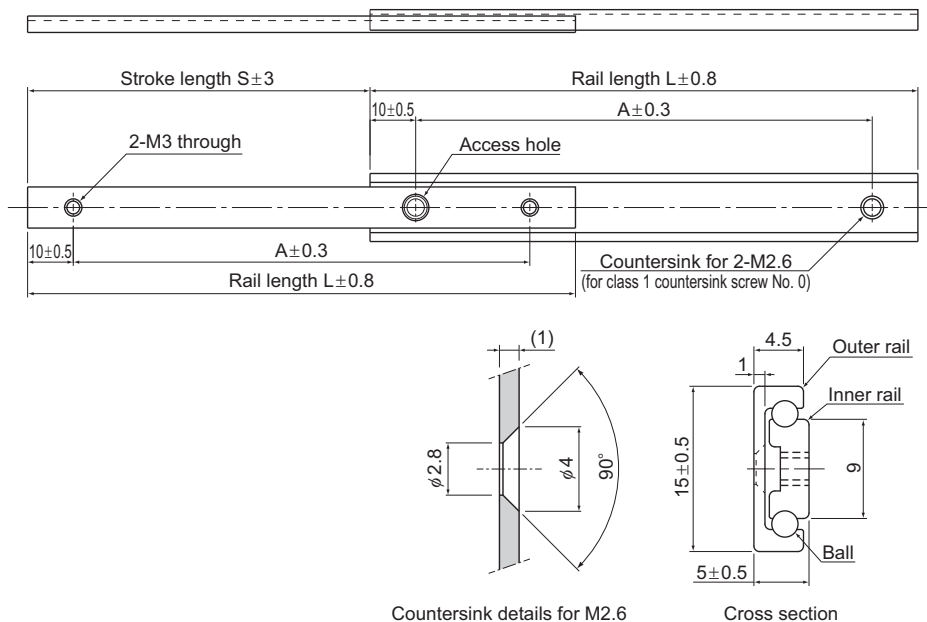


Model E15



Unit: mm

Rail length L (± 0.8)	Stroke S (± 3)	Mounting hole dimensions A ± 0.3	Permissible load N/pair	Mass [g/pair]
50	20	30	5	15
80	45	60	8	24
100	60	80	10	30
120	75	100	10	36

Note: The Permissible Load and Mass each indicate when used as a pair of 2 units.

Model number coding

E15 +100L

Model number Overall rail length (mm)