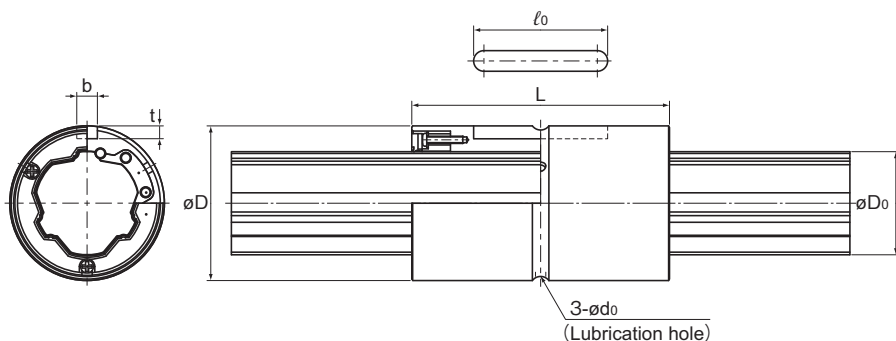


# Model SLS



Model No.	Spline nut dimensions											
	Outer diameter		Length		Keyway dimensions			Lubrication hole				
	D	Tolerance	L	Tolerance	b H8	t +0.1 0	$\ell_0$	$d_0$				
SLS25	37	0 -0.016	60	0 -0.3	5	3	33	2				
SLS25L			70									
SLS30	45	0 -0.016	70		0 -0.3	7	4	41	3			
SLS30L			80									
SLS40	60	0 -0.019	90			0 -0.3	10	4.5	55	3		
SLS40L			100									
SLS50	75	0 -0.019	100				0 -0.3	15	5	60	4	
SLS50L			112									
SLS60	90	0 -0.022	127					0 -0.3	18	6	68	4
SLS60L			140									
SLS70	100	0 -0.022	110	0 -0.3					18	6	68	4
SLS70L			135									
SLS80	120	0 -0.025	140		0 -0.4				20	7	80	5
SLS80L			155									
SLS100	140	0 -0.025	160			0 -0.4			28	9	93	5
SLS100L			185									

## Model number coding

**2 SLS50 UU CL +700L P K**

Model No.

Symbol for clearance  
in the rotational direction<sup>2</sup>

Symbol for standard hollow spline shaft<sup>4</sup>

Accuracy symbol<sup>3</sup>

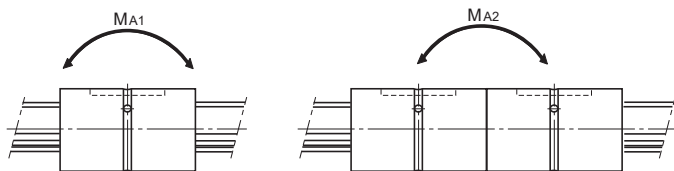
Contamination protection  
accessory symbol<sup>1</sup>

Overall spline shaft length<sup>5</sup>  
(in mm)

Number of spline nuts on one shaft (no symbol for one nut)

<sup>1</sup> See **A3-128**. <sup>2</sup> See **A3-32**. <sup>3</sup> See **A3-37**. <sup>4</sup> See **A3-50**. <sup>5</sup> See **A3-123**.

## High-Torque Caged Ball Ball Spline



Unit: mm

	Basic torque rating		Basic load rating		Static permissible moment		Mass	
	$C_T$ N·m	$C_{0T}$ N·m	C kN	$C_0$ kN	$M_{A1}$ N·m	$M_{A2}$ N·m	Spline nut kg	Spline shaft kg/m
	219.9	306.8	18.2	22.5	136	851	0.15	3.51
	261.9	394.5	21.7	29	220	1,203	0.18	
	366.5	513.3	25.4	31.5	233	1,341	0.3	5.05
	416.4	616	28.9	37.8	330	1,803	0.34	
	818.9	1,135.4	42.8	52.5	520	2,801	0.69	9.18
	890	1,277.3	46.5	59.1	652	3,529	0.79	
	1,373.4	1,783.1	57.6	66.2	687	4,156	1.3	14.45
	1,571.2	2,165.2	65.9	80.4	996	5,349	1.47	
	2,506.7	3,321	87.8	103	1,452	7,733	2.25	21.23
	2,723.2	3,736.2	95.3	115.8	1,820	9,570	2.5	
	2,986.3	3,474.7	89.7	92.5	1,038	6,392	2.13	28.57
	3,708.4	4,738.2	111.4	126.1	1,867	10,135	2.71	
	4,664.6	5,477.4	122.8	127.7	1,739	11,482	4.22	37.49
	5,195.3	6,390.4	136.8	148.9	2,327	14,491	4.77	
	8,922.3	10,211.6	188.2	190.7	3,155	19,118	5.2	58.97
	10,424.4	12,764.6	219.8	238.4	4,816	26,463	6.22	