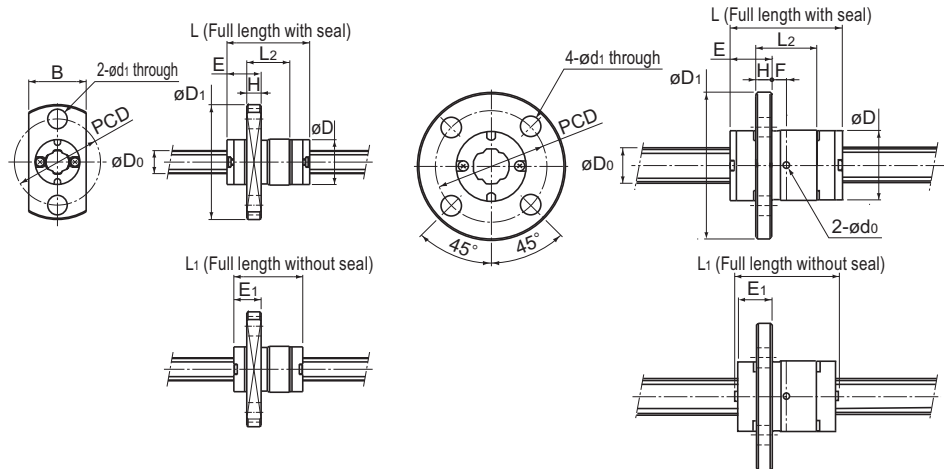


Model LF-X



Model LF4X

Models LF5X to 8X

Model No.	Spline shaft diameter		Spline nut dimensions											
	D ₀ h7	Outer diameter		Length			Flange outer diameter		H	F	E	E ₁	Lubrication hole d ₀	PCD
		D	Tolerance	L (With seal)	L ₁ (Without seal)	L ₂	D ₁	B						
LF 4X	4	8	⁰ _{-0.009}	14.4	12	7.5	20	10	2.5	—	5.95	4.75	—	15
LF 5X LF 5XL	5	10	⁰ _{-0.009}	15 26	13.6 24.6	7.3 18.3	23	—	2.7	— 6.5	6.55	5.35	— 1	17
LF 6X LF 6XL	6	12	⁰ _{-0.011}	19 30	17.6 28.6	10.2 21.2	25	—	2.7	2.4 7.9	7.1	5.9	1	19
LF 8X LF 8XL	8	15	⁰ _{-0.011}	25 40	23.8 38.8	14.6 29.6	28	—	3.8	3.5 11	9	7.5	1.5	22
LF 10X	10	19	⁰ _{-0.013}	33	30.8	23.9	38	—	6	5.95	10.55	9.45	1.5	28
LF 13X	13	23	⁰ _{-0.013}	36	32.4	24	43	—	6	6	12	10.2	1.5	33
LF 16X	16	28	⁰ _{-0.013}	50	46.4	35.5	48	—	6	11.7	13.3	11.5	2	38
LF 20X	20	32	⁰ _{-0.016}	63	59	47.4	54	—	8	15.7	15.8	13.8	2	43
LF 25X	25	40	⁰ _{-0.016}	71	67	52.6	62	—	8	18.3	17.2	15.2	3	51
LF 30X	30	45	⁰ _{-0.016}	80	75.6	59.6	74	—	10	19.8	20.2	18	3	60

Model number coding

2 LF20X UU CL +700L P K

Model No.

Symbol for clearance
in the rotational direction²

Accuracy
symbol³

Symbol for spline shaft⁴

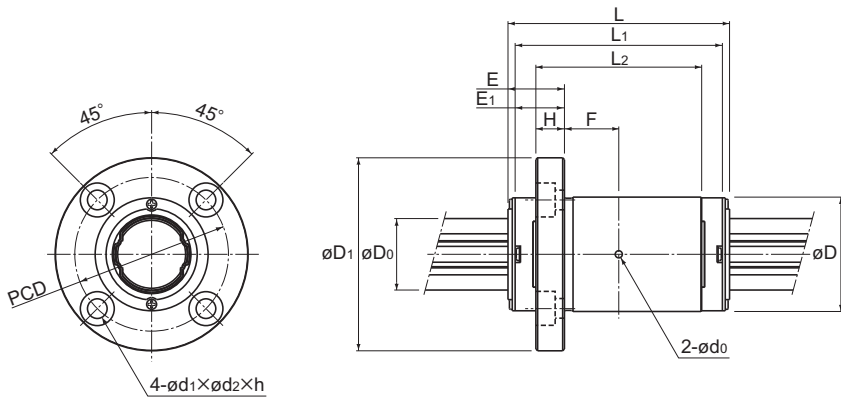
Number of spline nuts
on one shaft
(no symbol for one nut)

Contamination protection
accessory symbol¹

Overall spline shaft length⁵
(in mm)




¹ See **A3-128**. ² See **A3-32**. ³ See **A3-37**. ⁴ See **A3-95**. ⁵ See **A3-123**.

Medium-Torque Ball Spline



Models LF10X to 30X

Unit: mm

Mounting hole		Basic torque rating		Basic load rating		Static permissible moment			Mass	
		C_T N·m	C_{OT} N·m	C kN	C_0 kN	M_{A1}  N·m	M_{A2} (With seal)  N·m	M_{A2} (Without seal)  N·m	Spline nut g	Spline shaft kg/m
3.4 through	d ₁ × d ₂ × h	0.49	0.82	0.42	0.7	0.84	6.2	5	4.7	0.1
		0.82 1.59	1.25 3.2	0.56 1.09	0.85 2.19	1.04 6.11	8.2 35.5	6.6 28.4	9.9 14.6	0.15
3.4 through	d ₁ × d ₂ × h	1.73 2.81	2.77 5.54	0.98 1.6	1.58 3.15	2.85 10.6	19 59.8	15.2 47.8	13.8 20.5	0.21
		6 10.1	9.23 19.5	1.39 2.35	2.15 4.53	5.13 21.1	34.3 110.9	27.4 88.7	26.5 36.5	0.38
4.5 × 8 × 4.4	d ₁ × d ₂ × h	9.41	17.3	2.94	5.4	21.5	114	104	66	0.59
4.5 × 8 × 4.4	d ₁ × d ₂ × h	17.1	28.7	4.16	6.96	28.9	164	149	82	1.01
4.5 × 8 × 4.4	d ₁ × d ₂ × h	42.9	68.6	8.4	13.4	77.4	419	381	131	1.52
5.5 × 9.5 × 5.4	d ₁ × d ₂ × h	66.4	117	10.5	18.6	144	735	669	212	2.41
5.5 × 9.5 × 5.4	d ₁ × d ₂ × h	125	207	15.9	26.2	230	1,183	1,077	335	3.71
6.6 × 11 × 6.5	d ₁ × d ₂ × h	196	319	20.8	34	335	1,714	1,560	489	5.37

Notes: The mass of the spline nut does not include the seal.
Please check the spline shaft strength tests (A3-12) before use.