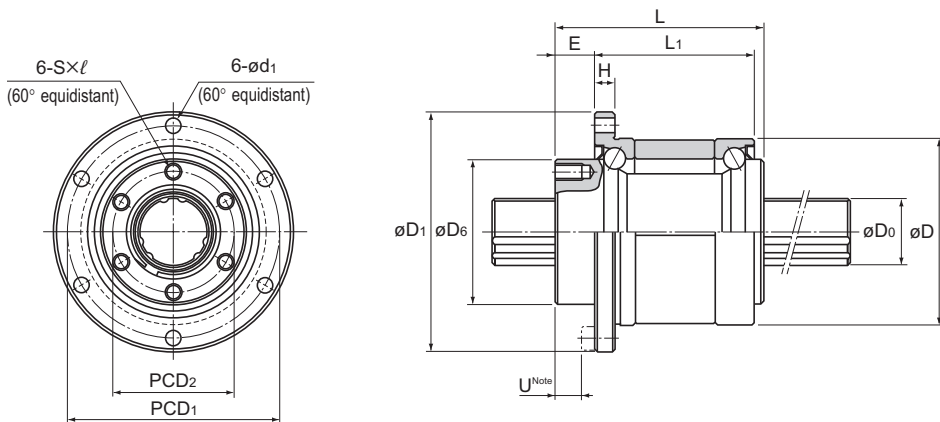


Model LTR



Model No.	Spline nut dimensions										
	Outer diameter		Length L	Flange diameter D ₁	D ₆ h7	H	L ₁	E	PCD ₁	PCD ₂	S × l
	D	Tolerance									
LTR 16	52	0 -0.007	50	68	39.5	5	37	10	60	32	M5 × 8
LTR 20	56		63	72	43.5	6	48	12	64	36	M5 × 8
LTR 25	62		71	78	53	6	55	13	70	45	M6 × 8
LTR 32	80		80	105	65.5	9	60	17	91	55	M6 × 10
LTR 40	100	0 -0.008	100	130	79.5	11	74	23	113	68	M6 × 10
LTR 50	120		125	156	99.5	12	97	25	136	85	M10 × 15
LTR 60	134		140	170	115	12	112	25	150	100	M10 × 15

Model number coding

2 LTR50 K UU ZZ CM +1000L H K

Model No. Flange orientation
symbol¹

Symbol for clearance
in the rotational
direction⁴

Accuracy symbol⁵

Symbol for spline shaft⁶

Number of spline nuts
on one shaft
(no symbol for one nut)

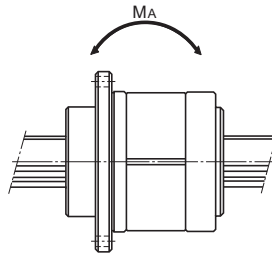
Spline nut
contamination protection
accessory symbol²

Support bearings
contamination protection
accessory symbol³

Overall spline shaft length⁷
(in mm)

¹ No Symbol: standard K: flange inverted ² See **A3-128**. ³ See **A3-128**. ⁴ See **A3-32**.

⁵ See **A3-37**. ⁶ See **A3-120**. ⁷ See **A3-123**.



Unit: mm

			Spline shaft diameter D_0 h7	Rows of balls	Basic torque rating		Basic load rating		Static permissible moment M_A^1 N·m	Support bearing basic load rating		Mass	
d_1	U ^{Note}	C_T N·m			C_{0T} N·m	C kN	C_0 kN	C kN		C_0 kN	Spline nut kg	Spline shaft kg/m	
4.5	5	16	6	31.4	34.3	7.06	12.6	67.6	12.7	11.8	0.51	1.6	
4.5	7	20	6	56.9	55.9	10.2	17.8	118	16.3	15.5	0.7	2.5	
4.5	8	25	6	105	103	15.2	25.8	210	17.6	18	0.93	3.9	
6.6	10	32	6	180	157	20.5	34	290	20.1	24	1.8	5.6	
9	13	40	6	419	377	37.8	60.5	687	37.2	42.5	3.9	9.9	
11	13	50	6	842	769	60.9	94.5	1,340	41.7	54.1	6.7	15.5	
11	13	60	6	1,220	1,040	73.5	111.7	1,600	53.1	68.4	8.8	22.3	

¹ M_A indicates the permissible moment value in the axial direction when a single spline nut is used, as shown in the figure above.

Notes: Dimension U represents the dimension from the head of the hexagonal-socket-head type bolt to the spline nut end.
For details on the maximum lengths of ball spline shafts by accuracy, please see **A3-123**.