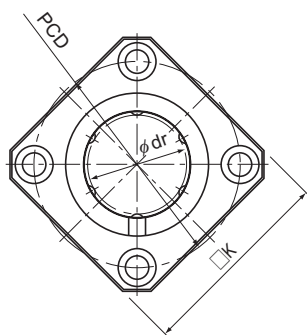


# Model LMK



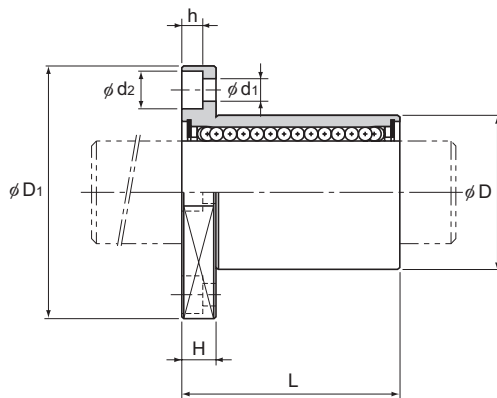
Model LMK

Model No.	Ball rows	Main dimensions							
		Inscribed circle diameter		Outer diameter		Length		Flange diameter	
		dr	Tolerance	D	Tolerance	L	Tolerance	D <sub>i</sub>	Tolerance
LMK 6	4	6	0 -0.009	12	0 -0.011	19	0 -0.2	28	0 -0.2
LMK 8S	4	8		15		17		32	
LMK 8	4	8		15		24		32	
LMK 10	4	10		19	29	39			
LMK 12	4	12		21	0 -0.013	30		42	
LMK 13	4	13		23	32	43			
LMK 16	5	16		28	37	48			
LMK 20	5	20		32	42	54			
LMK 25	6	25		0 -0.010	40 -0.016	59		62	
LMK 30	6	30		45	64	74			
LMK 35	6	35	0 -0.012	52	0 -0.019	70	0 -0.3	82	0 -0.3
LMK 40	6	40		60		80		96	
LMK 50	6	50		80		100		116	
LMK 60	6	60		0 -0.015		90 -0.022		110	

Notes: Since this model contains a synthetic resin retainer, do not use it at temperatures exceeding 80°C.  
If requiring a type equipped with a seal, indicate it when placing an order.

(Example) LMK13 UU

└─── Seal attached on both ends of the nut



Unit: mm

	K	H	PCD	Mounting hole $d_1 \times d_2 \times h$	Flange perpendicularity	Eccentricity (max)	Basic load rating		Mass g
					$\mu\text{m}$	$\mu\text{m}$	C N	$C_0$ N	
	22	5	20	$3.4 \times 6.5 \times 3.3$	12	12	206	265	17
	25	5	24	$3.4 \times 6.5 \times 3.3$	12	12	176	225	25
	25	5	24	$3.4 \times 6.5 \times 3.3$	12	12	265	402	26
	30	6	29	$4.5 \times 8 \times 4.4$	12	12	373	549	45
	32	6	32	$4.5 \times 8 \times 4.4$	12	12	412	598	50
	34	6	33	$4.5 \times 8 \times 4.4$	12	12	510	775	67
	37	6	38	$4.5 \times 8 \times 4.4$	12	12	775	1,180	105
	42	8	43	$5.5 \times 9.2 \times 5.4$	15	15	863	1,370	130
	50	8	51	$5.5 \times 9.2 \times 5.4$	15	15	980	1,570	270
	58	10	60	$6.6 \times 11 \times 6.5$	15	15	1,570	2,750	344
	64	10	67	$6.6 \times 11 \times 6.5$	20	20	1,670	3,140	487
	75	13	78	$9 \times 14 \times 8.6$	20	20	2,160	4,020	790
	92	13	98	$9 \times 14 \times 8.6$	20	20	3,820	7,940	1,705
	106	18	112	$11 \times 17.5 \times 10.8$	25	25	4,710	10,000	2,278

Note: If a lubrication hole is required, this can be indicated by appending "OH" to the end of the model number.  
For further information, contact THK.