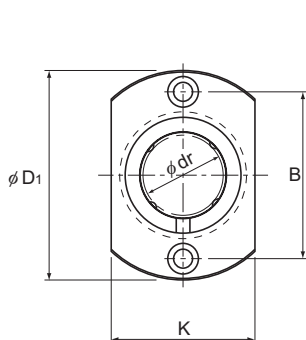
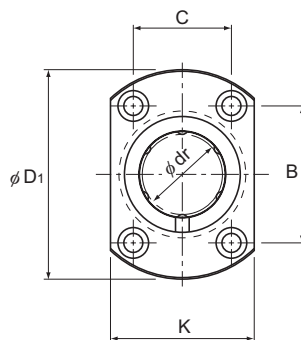


Model LMH-L



Models LMH6L to 13L



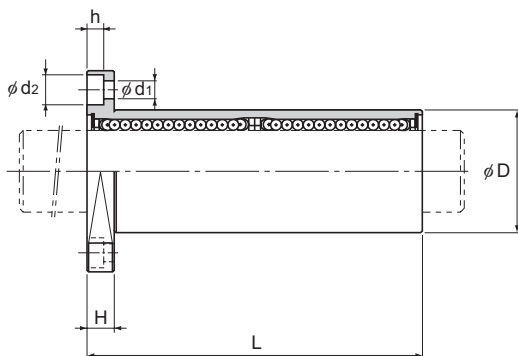
Models LMH16L to 30L

Model No.	Ball rows	Main dimensions							
		Inscribed circle diameter		Outer diameter		Length		Flange diameter	
		dr	Tolerance	D	Tolerance	L	Tolerance	D ₁	Tolerance
LMH 6L	4	6	0 -0.010	12	0	35	0 -0.3	28	0 -0.2
LMH 8L	4	8		15	-0.013	45		32	
LMH 10L	4	10		19	0 -0.016	55		39	
LMH 12L	4	12		21		57		42	
LMH 13L	4	13		23		61		43	
LMH 16L	5	16	28	80	70	48			
LMH 20L	5	20	0 -0.012	32	0	80	54		
LMH 25L	6	25	0 -0.019	40	0 -0.019	112	0	62	
LMH 30L	6	30		45		123	-0.4	74	

Notes: Since this model contains a synthetic resin retainer, do not use it at temperatures exceeding 80°C.
If requiring a type equipped with a seal, indicate it when placing an order.

(Example) LMH20L UU

Seal attached on both ends of the nut



Unit: mm

	K	H	B	C	Mounting hole d ₁ × d ₂ × h	Flange perpendicularity	Eccentricity (max)	Basic load rating		Mass g
						μm	μm	C	C ₀	
	18	5	20	—	3.4 × 6.5 × 3.3	15	15	324	529	27
	21	5	24	—	3.4 × 6.5 × 3.3	15	15	431	784	41
	25	6	29	—	4.5 × 8 × 4.4	15	15	588	1,100	72
	27	6	32	—	4.5 × 8 × 4.4	15	15	657	1,200	81
	29	6	33	—	4.5 × 8 × 4.4	15	15	814	1,570	105
	34	6	31	22	4.5 × 8 × 4.4	15	15	1,230	2,350	182
	38	8	36	24	5.5 × 9.2 × 5.4	20	20	1,400	2,750	217
	46	8	40	32	5.5 × 9.2 × 5.4	20	20	1,560	3,140	477
	51	10	49	35	6.6 × 11 × 6.5	20	20	2,490	5,490	575

Note: If a lubrication hole is required, this can be indicated by appending "OH" to the end of the model number.
For further information, contact THK.