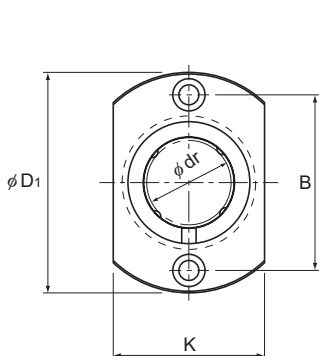
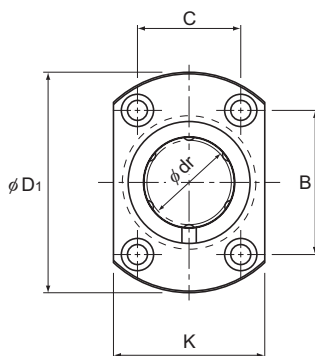


Model LMH



Models LMH6 to 13



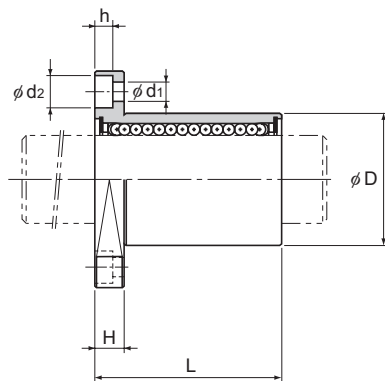
Models LMH16 to 30

Model No.	Ball rows	Main dimensions							
		Inscribed circle diameter		Outer diameter		Length		Flange diameter	
		dr	Tolerance	D	Tolerance	L	Tolerance	D ₁	Tolerance
LMH 6	4	6	0 -0.009	12	0	19	0 -0.2	28	0 -0.2
LMH 8S	4	8		15		-0.011		17	
LMH 8	4	8		15	24	32			
LMH 10	4	10		19	29	39			
LMH 12	4	12		21	0 -0.013	30		42	
LMH 13	4	13	23	32		43			
LMH 16	5	16	28	37	48				
LMH 20	5	20	32	0 -0.016	42	54			
LMH 25	6	25	40		59	62			
LMH 30	6	30	45		64	74			

Notes: Since this model contains a synthetic resin retainer, do not use it at temperatures exceeding 80°C.
If requiring a type equipped with a seal, indicate it when placing an order.

(Example) LMH16 UU

└── Seal attached on both ends of the nut



Unit: mm

	K	H	B	C	Mounting hole $d_1 \times d_2 \times h$	Flange perpendicularity μm	Eccentricity (max) μm	Basic load rating		Mass g
								C	C_0	
	18	5	20	—	$3.4 \times 6.5 \times 3.3$	12	12	206	265	20
	21	5	24	—	$3.4 \times 6.5 \times 3.3$	12	12	176	225	24
	21	5	24	—	$3.4 \times 6.5 \times 3.3$	12	12	265	402	28
	25	6	29	—	$4.5 \times 8 \times 4.4$	12	12	373	549	50
	27	6	32	—	$4.5 \times 8 \times 4.4$	12	12	412	598	56
	29	6	33	—	$4.5 \times 8 \times 4.4$	12	12	510	775	69
	34	6	31	22	$4.5 \times 8 \times 4.4$	12	12	775	1,180	111
	38	8	36	24	$5.5 \times 9.2 \times 5.4$	15	15	863	1,370	140
	46	8	40	32	$5.5 \times 9.2 \times 5.4$	15	15	980	1,570	279
	51	10	49	35	$6.6 \times 11 \times 6.5$	15	15	1,570	2,750	351

Note: If a lubrication hole is required, this can be indicated by appending "OH" to the end of the model number.
For further information, contact THK.