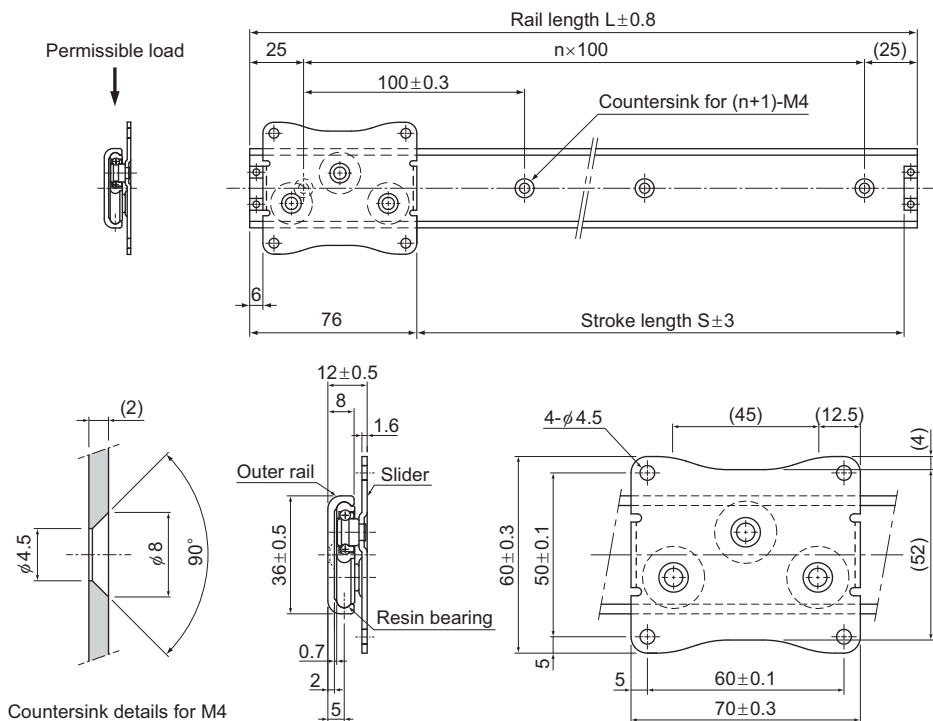


# Model E36RS



Unit: mm

Rail length L ( $\pm 0.8$ )	Stroke length S ( $\pm 3$ )	n	Mounting hole n+1	Permissible load <sup>1</sup> N	Mass g
150	68	1	2	40	104
250	168	2	3	40	130
350	268	3	4	40	156
450	368	4	5	40	182
550	468	5	6	40	207
650	568	6	7	40	233
750	668	7	8	40	259

<sup>1</sup> Model E36RS differs from other slide rails by assuming use with a single rail. Therefore, the value is per single rail for permissible load.

## Model number coding

**E36RS +550L**

Model number Overall rail length (mm)