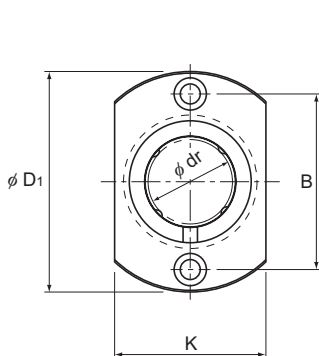
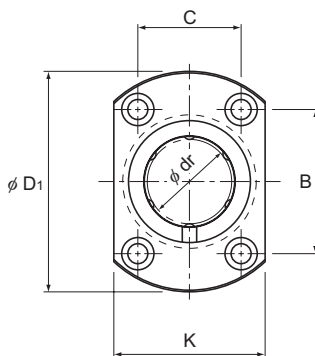


## Model LMH-M (Stainless Steel Type)



Models LMH 6M to 13M



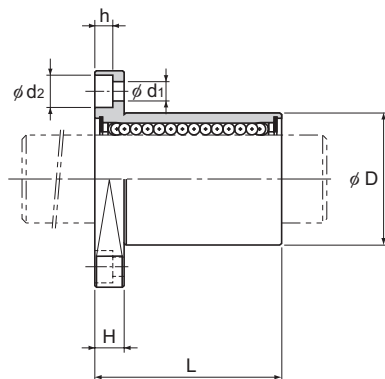
Models LMH 16M to 30M

Model No.	Ball rows	Main dimensions							
		Inscribed circle diameter		Outer diameter		Length		Flange diameter	
		dr	Tolerance	D	Tolerance	L	Tolerance	D <sub>1</sub>	Tolerance
LMH 6M	4	6	0 -0.009	12	0 -0.011	19	0 -0.2	28	0 -0.2
LMH 8SM	4	8		15		17		32	
LMH 8M	4	8		15		24		32	
LMH 10M	4	10		19	29	39			
LMH 12M	4	12		21	30	42			
LMH 13M	4	13	23	32	43				
LMH 16M	5	16	28	37	48				
LMH 20M	5	20	32	42	54				
LMH 25M	6	25	40	59	62				
LMH 30M	6	30	45	64	74				

Notes: Since this model contains a synthetic resin retainer, do not use it in temperatures exceeding 80°C.  
If an equipped seal is required, please specify when placing an order.

(Example) LMH16M UU

└─── Seal attached on both ends of the nut



Unit: mm

	K	H	B	C	Mounting hole d <sub>1</sub> × d <sub>2</sub> × h	Flange perpendicularity	Eccentricity (max)	Basic load rating		Mass g
						μm	μm	C	C <sub>0</sub>	
	18	5	20	—	3.4 × 6.5 × 3.3	12	12	206	265	20
	21	5	24	—	3.4 × 6.5 × 3.3	12	12	176	225	24
	21	5	24	—	3.4 × 6.5 × 3.3	12	12	265	402	28
	25	6	29	—	4.5 × 8 × 4.4	12	12	373	549	50
	27	6	32	—	4.5 × 8 × 4.4	12	12	412	598	56
	29	6	33	—	4.5 × 8 × 4.4	12	12	510	775	69
	34	6	31	22	4.5 × 8 × 4.4	12	12	775	1,180	111
	38	8	36	24	5.5 × 9.2 × 5.4	15	15	863	1,370	140
	46	8	40	32	5.5 × 9.2 × 5.4	15	15	980	1,570	279
	51	10	49	35	6.6 × 11 × 6.5	15	15	1,570	2,750	351

Notes: Since the nut and the balls use stainless steel, these models are highly resistant to corrosion and environment.  
If lubrication holes are required, please specify by adding OH to the end of the model number.  
For further information, contact THK.